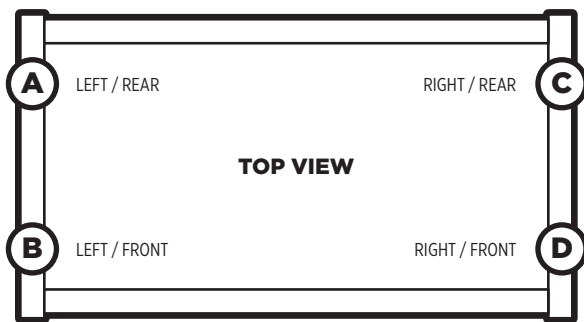
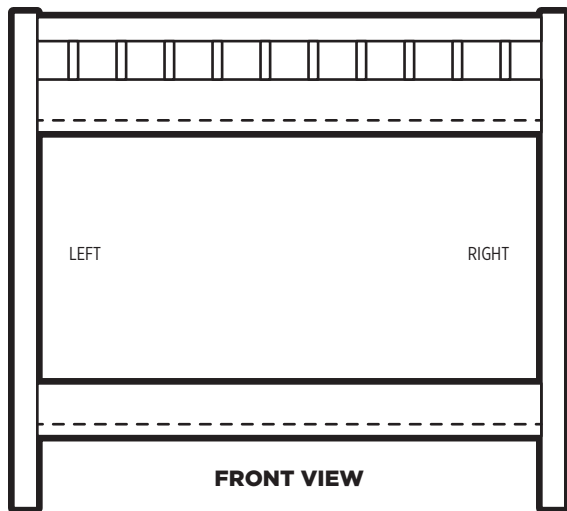
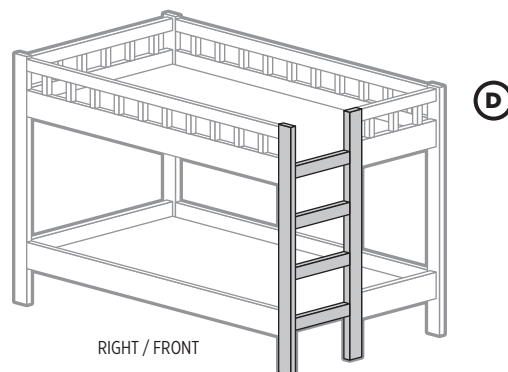
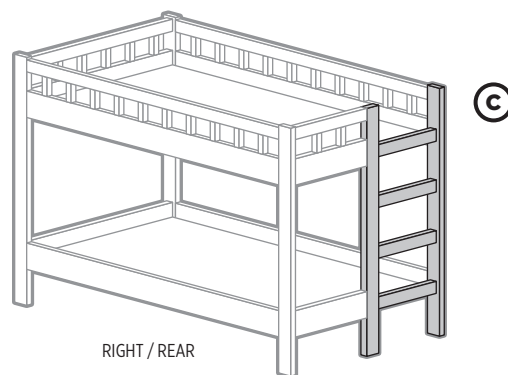
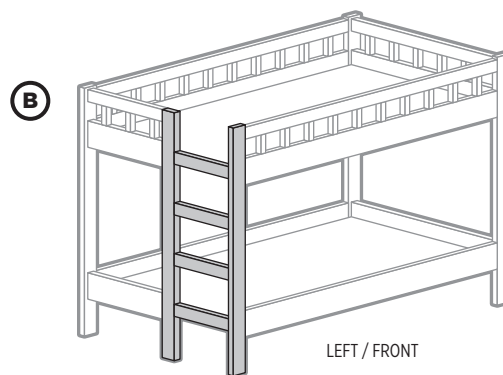
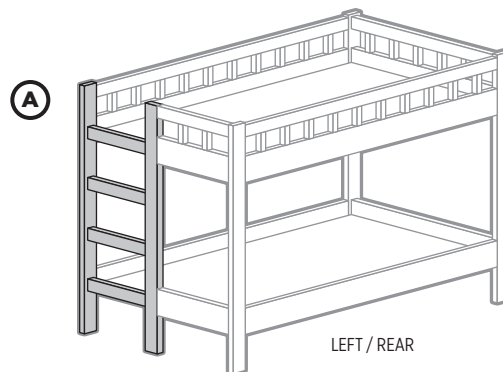


Choosing a Ladder Position

FOR: TWIN / TWIN, XL TWIN / XL TWIN, FULL / FULL, QUEEN / QUEEN



FRONT

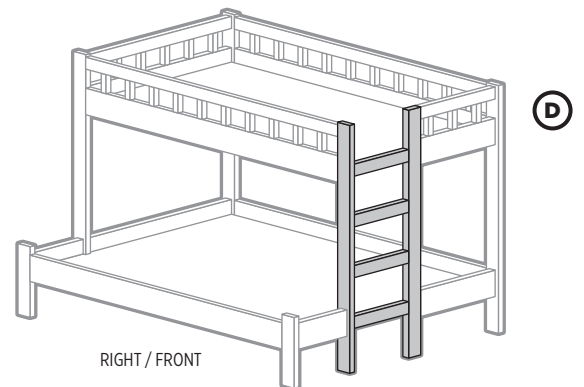
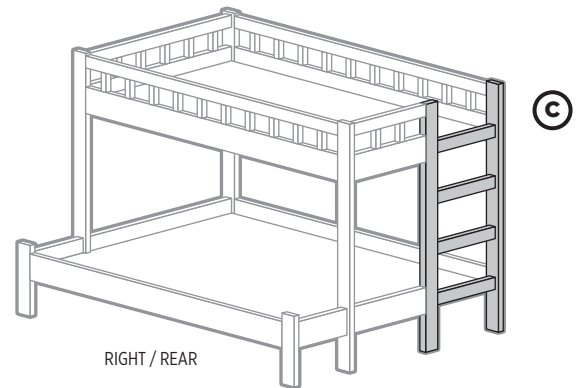
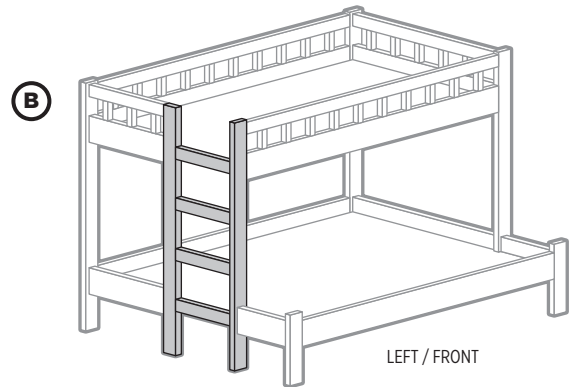
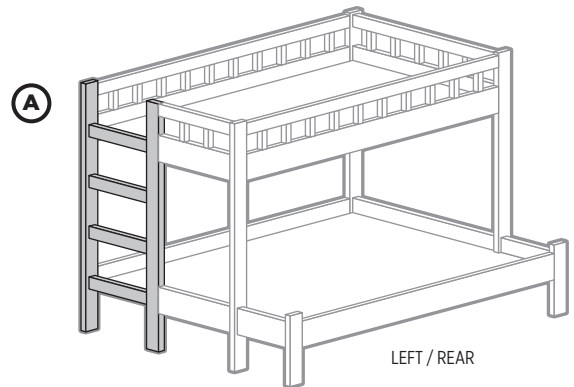
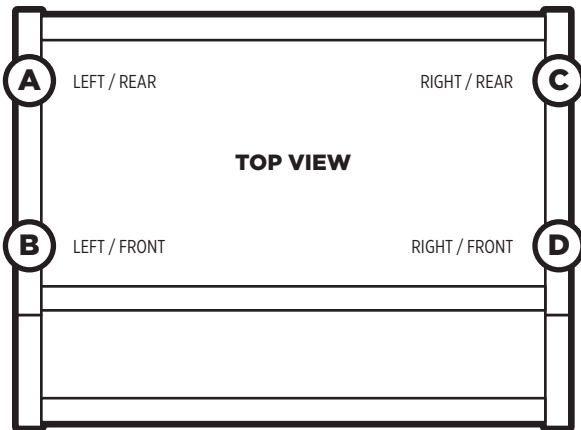
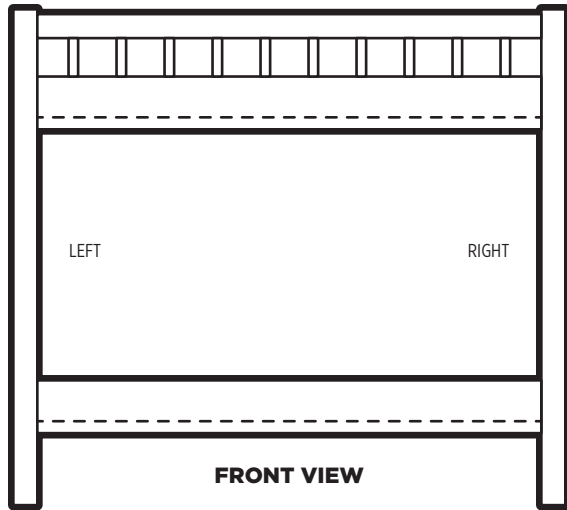


REMEMBER WHEN ORDERING...



- ① Choose Canopy Bed or Bunk Bed
- ② Choose Style
- ③ Choose Height
- ④ Choose Ladder Placement
- ⑤ Choose Finish
- ⑥ Choose Bunky Board Option

FOR: TWIN / FULL, XL TWIN / QUEEN

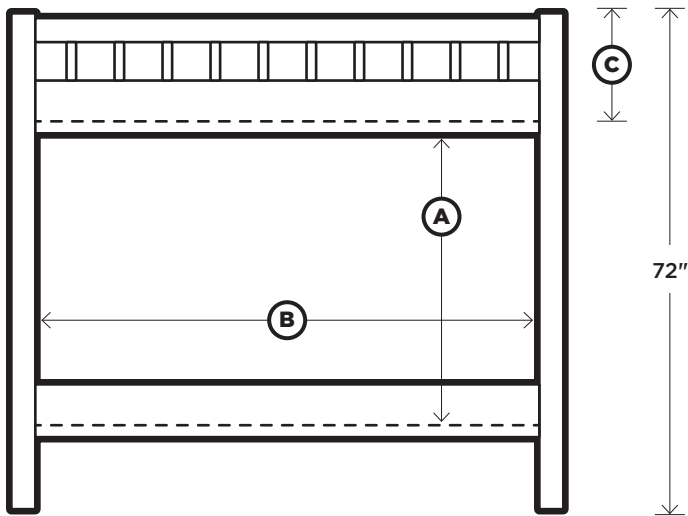


REMEMBER WHEN ORDERING...



- ① Choose Canopy Bed or Bunk Bed
- ② Choose Style
- ③ Choose Height
- ④ Choose Ladder Placement
- ⑤ Choose Finish
- ⑥ Choose Bunky Board Option

Bunk Bed Size & Specs



72" HEIGHT

Our 72" high bunk bed is recommended for ceiling heights of 8' (96") or higher.

A. UNDER CLEARANCE 41"

Measurement is from the top of the lower bed rail slat surface to the bottom of the upper bunk bed rail.

B. INSIDE WIDTH

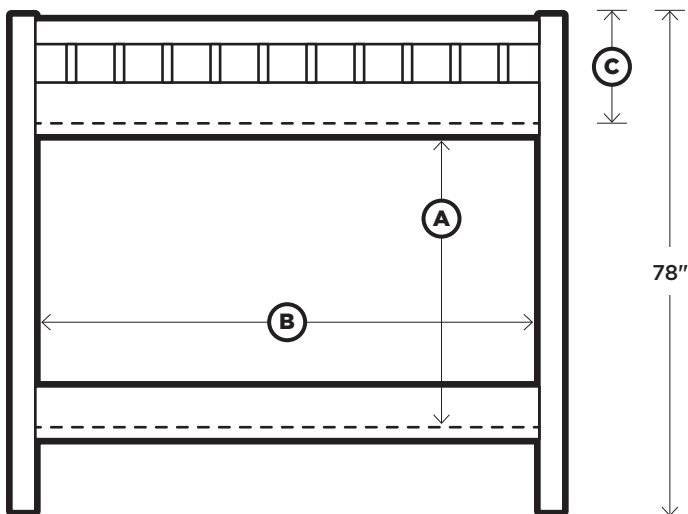
Measurement is inside of the corner posts.

Twin & Twin/Full: 76"

TXL & TXL / Queen: 81"

C. SAFETY RAIL

Measurement of 17" from the top of the upper bed slat surface to top of the safety gate. A veneer bunky board and a 7"- 8" thick mattress are recommended to maximum safety rail function.



78" HEIGHT

Our 78" high bunk bed is recommended for ceiling heights of 9' (108") or higher.

A. UNDER CLEARANCE 47"

Measurement is from the top of the lower bed rail slat surface to the bottom of the upper bunk bed rail.

B. INSIDE WIDTH

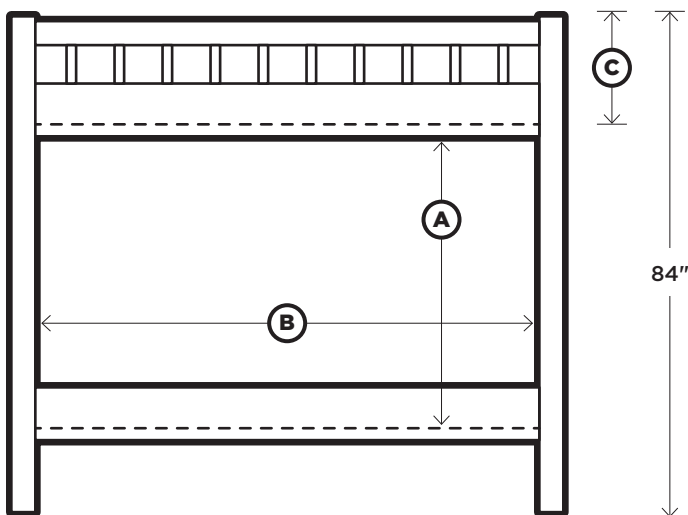
Measurement is inside of the corner posts.

Twin & Twin/Full: 76"

TXL & TXL / Queen: 81"

C. SAFETY RAIL

Measurement of 17" from the top of the upper bed slat surface to top of the safety gate. A veneer bunky board and a 7"- 8" thick mattress are recommended to maximum safety rail function.



84" HEIGHT

Our 84" high bunk bed is recommended for ceiling heights of 10' (120") or higher.

A. UNDER CLEARANCE 53"

Measurement is from the top of the lower bed rail slat surface to the bottom of the upper bunk bed rail.

B. INSIDE WIDTH

Measurement is inside of the corner posts.

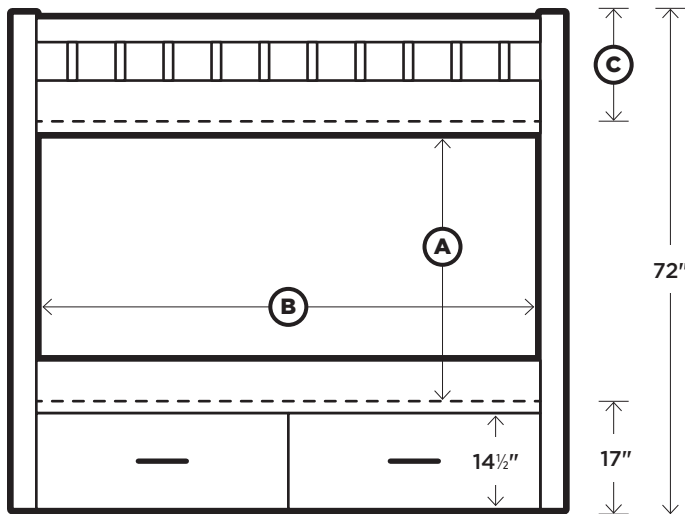
Twin & Twin/Full: 76"

TXL & TXL / Queen: 81"

C. SAFETY RAIL

Measurement of 17" from the top of the upper bed slat surface to top of the safety gate. A veneer bunky board and a 7"- 8" thick mattress are recommended to maximum safety rail function.

Bunk Bed Size & Specs w/ Trundle



72" HEIGHT

Our 72" high bunk bed is recommended for ceiling heights of 8' (96") or higher.

A. UNDER CLEARANCE 33"

Measurement of 33" from the top of the lower bed rail slats to the bottom of the upper bunk bed rail.

B. INSIDE WIDTH

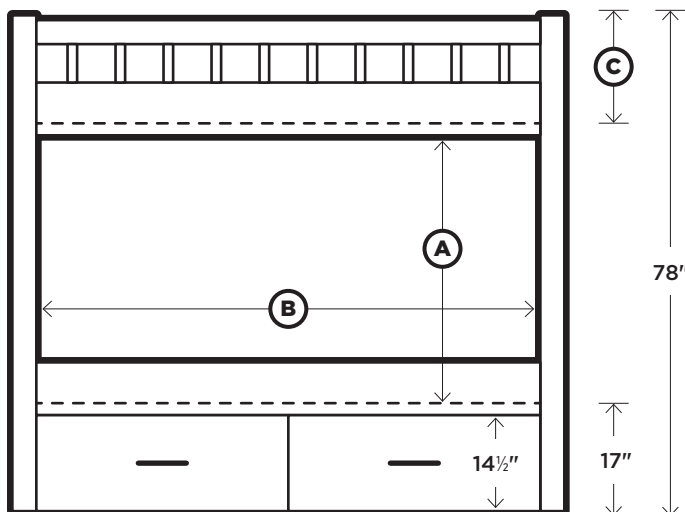
Measurement is inside of the corner posts.

Twin & Twin/Full: 76"

TXL & TXL/Queen 81"

C. SAFETY RAIL

Measurement of 17" from the top of the upper bed slat surface to top of the safety gate. A veneer bunky board and a 7"-8" thick mattress are recommended to maximum safety rail function.



78" HEIGHT

Our 78" high bunk bed is recommended for ceiling heights of 9' (108") or higher.

A. UNDER CLEARANCE 39"

Measurement of 39" from the top of the lower bed rail slats to the bottom of the upper bunk bed rail.

B. INSIDE WIDTH

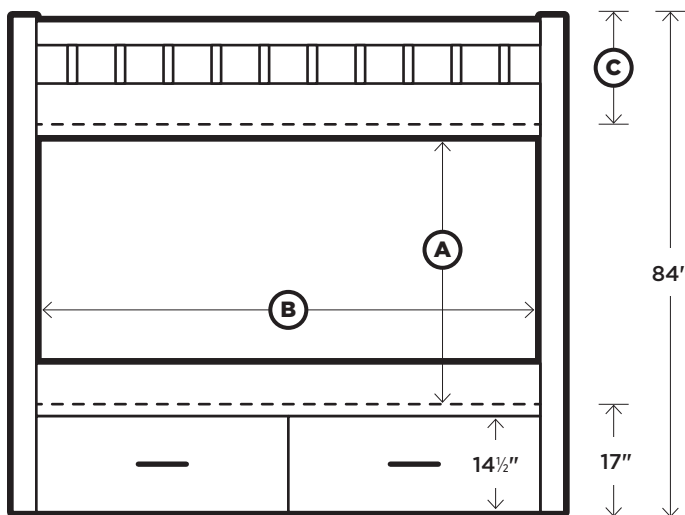
Measurement is inside of the corner posts.

Twin & Twin/Full: 76"

TXL & TXL/Queen 81"

C. SAFETY RAIL

Measurement of 17" from the top of the upper bed slat surface to top of the safety gate. A veneer bunky board and a 7"-8" thick mattress are recommended to maximum safety rail function.



84" HEIGHT

Our 84" high bunk bed is recommended for ceiling heights of 10' (120") or higher.

A. UNDER CLEARANCE 45"

Measurement of 45" from the top of the lower bed rail slats to the bottom of the upper bunk bed rail.

B. INSIDE WIDTH

Measurement is inside of the corner posts.

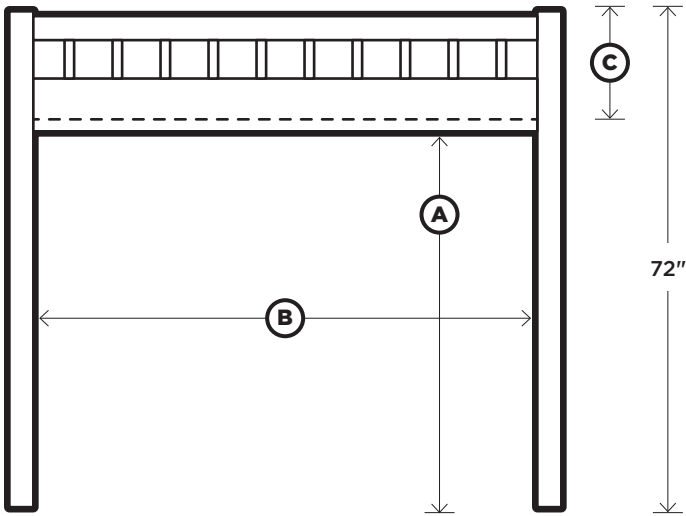
Twin & Twin/Full: 76"

TXL & TXL/Queen 81"

C. SAFETY RAIL

Measurement of 17" from the top of the upper bed slat surface to top of the safety gate. A veneer bunky board and a 7"-8" thick mattress are recommended to maximum safety rail function.

Canopy Size & Specs



72" HEIGHT

Our 72" high bunk bed is recommended for ceiling heights of 8' (96") or higher.

A. UNDER CLEARANCE 50"

Measurement is from the top of the lower bed rail slat surface to the bottom of the upper bunk bed rail.

B. INSIDE WIDTH

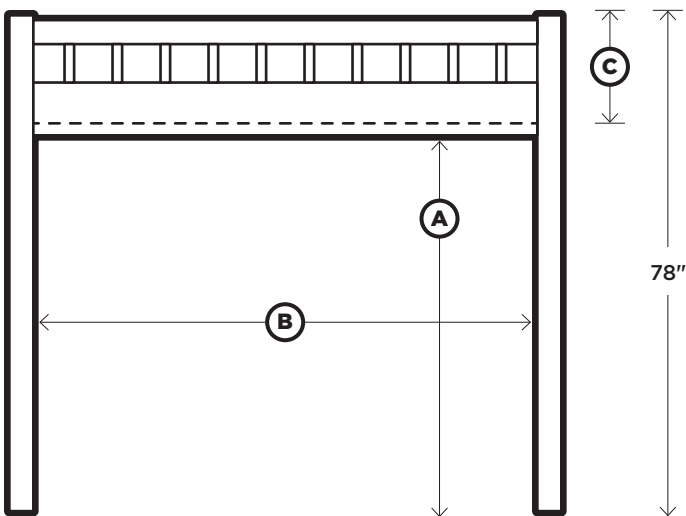
Measurement is inside of the corner posts.

Twin & Twin/Full: 76"

TXL & TXL / Queen: 81"

C. SAFETY RAIL

Measurement of 17" from the top of the upper bed slat surface to top of the safety gate. A veneer bunky board and a 7"- 8" thick mattress are recommended to maximum safety rail function.



78" HEIGHT

Our 78" high bunk bed is recommended for ceiling heights of 9' (108") or higher.

A. UNDER CLEARANCE 50"

Measurement is from the top of the lower bed rail slat surface to the bottom of the upper bunk bed rail.

B. INSIDE WIDTH

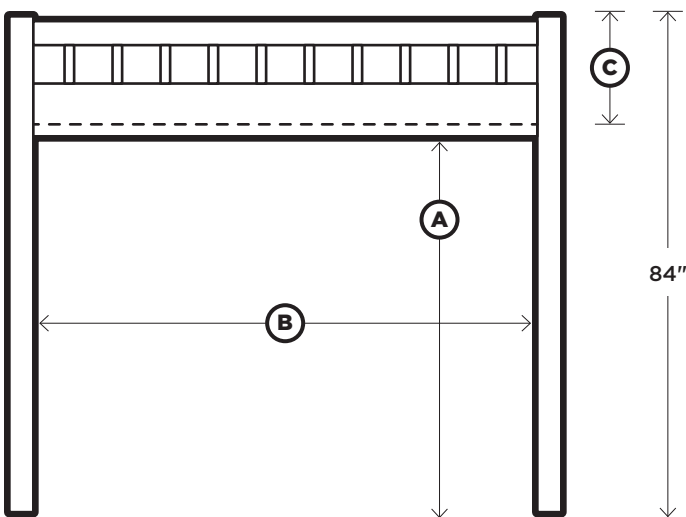
Measurement is inside of the corner posts.

Twin & Twin/Full: 76"

TXL & TXL / Queen: 81"

C. SAFETY RAIL

Measurement of 17" from the top of the upper bed slat surface to top of the safety gate. A veneer bunky board and a 7"- 8" thick mattress are recommended to maximum safety rail function.



84" HEIGHT

Our 84" high bunk bed is recommended for ceiling heights of 10' (120") or higher.

A. UNDER CLEARANCE 62"

Measurement is from the top of the lower bed rail slat surface to the bottom of the upper bunk bed rail.

B. INSIDE WIDTH

Measurement is inside of the corner posts.

Twin & Twin/Full: 76"

TXL & TXL / Queen: 81"

C. SAFETY RAIL

Measurement of 17" from the top of the upper bed slat surface to top of the safety gate. A veneer bunky board and a 7"- 8" thick mattress are recommended to maximum safety rail function.